

Engine output : 20 PS

Machine operating weight : 1000 kg

For Earth, For Life
Kubota

RT100

KUBOTA WHEEL LOADER



POWERFUL, MANOEUVRABLE AND VERSATILE

Kubota has developed new range of articulated wheel loaders with an operating weight ranging from 1000 kg to 2800kg. The new RT-series has been designed to meet the requirements of varying type's of applications such as construction, agriculture, gardening and public works. These articulated wheel loaders combine performance, compactness, safety and comfort as with all Kubota's products.



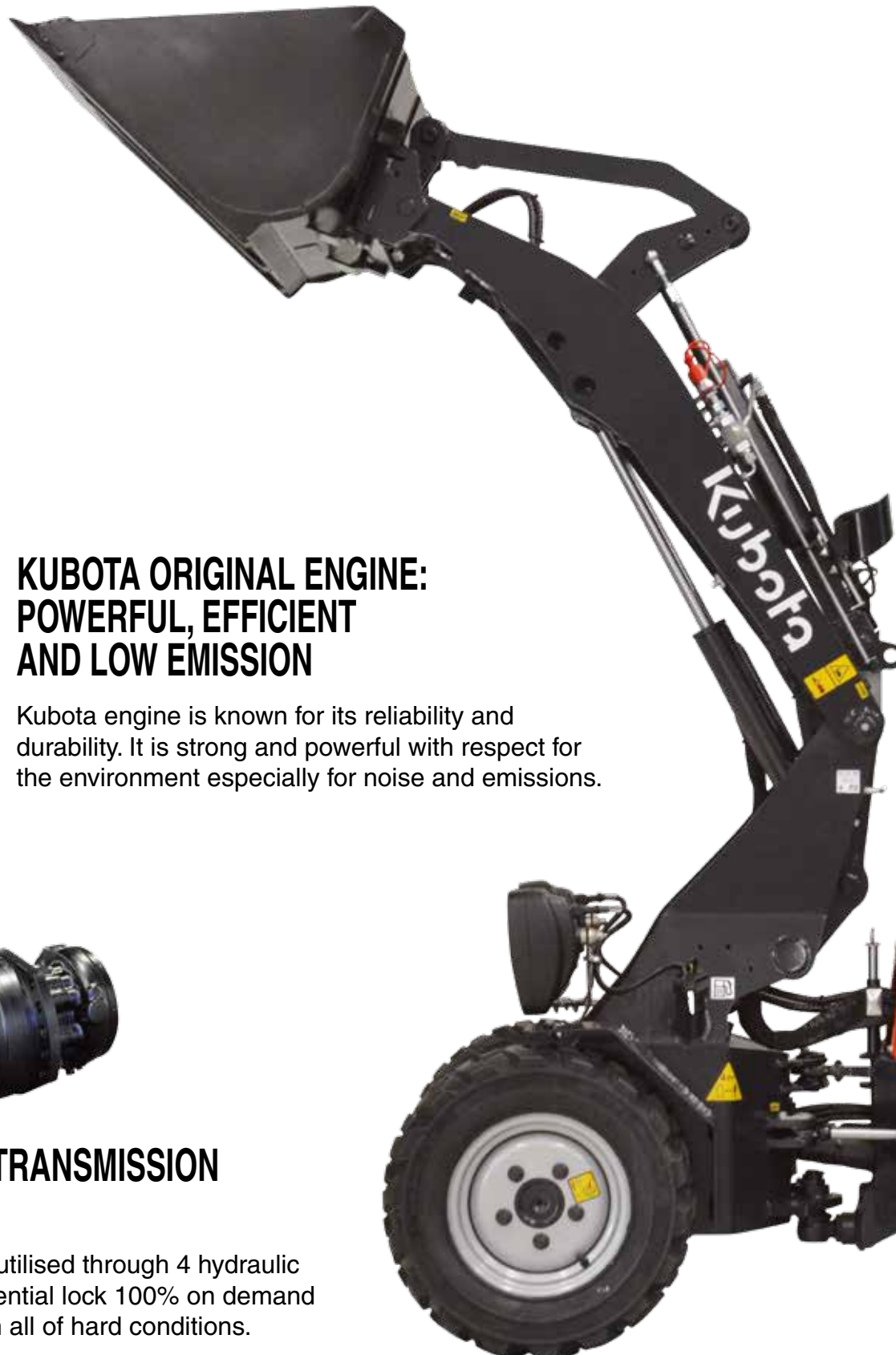
KUBOTA ORIGINAL ENGINE: POWERFUL, EFFICIENT AND LOW EMISSION

Kubota engine is known for its reliability and durability. It is strong and powerful with respect for the environment especially for noise and emissions.



HYDRAULIC MOTOR TRANSMISSION ON EACH WHEEL

Engine power has been utilised through 4 hydraulic motors. In addition, a differential lock 100% on demand ensures excellent motion in all of hard conditions.



PIVOTING ARTICULATION

With an articulation of 47° and an oscillating angle of 5.3°, the RT100 can drive through tight space's without creating any damage on the ground surface.



HEAVY DUTY CHASSIS

The thickness of the material used, the load resistance and the compactness are the key features of the chassis of the RT-series. In addition, the hydraulic tank is enclosed within the frame which in addition provides additional counterweight.



HYDROSTATIC TRANSMISSION (HST)

The hydrostatic transmission is equipped with an high performance pump which guarantees an efficient transmission of the power to the wheels.

OPERATOR COMFORT



Dashboard

The dashboard provides the operator with easy to read gauges for both the fuel level & engine water temperature and with additional warning lights for Engine oil pressure, water temperature and battery charge. Therefore you can operate your wheel loader in full confidence.

Multi-function operating lever and steering column

The user friendly designed multifunction lever allows to control all the main functions of your articulated wheel loader: shuttle switch, auxiliary circuit (according to the versions) and of course the front attachment functions. The steering wheel is tiltable in order to offer the best driving position to the operator.



Comfort seat

In order to insure a good operating comfort and safety, the seat is equipped with arm rest and safety belt.

PERFORMANCE/MAINTENANCE



Versatile and compact

With an operating weight of 1000 Kg and a tipping load of 450 kg (straight position) the RT100 is a versatile articulated wheel loader for construction and farming applications.

Transmission control

The hydrostatic transmission is controlled by a pedal located on the right side of the steering column. A simple action of the right foot on the pedal acts simultaneously on the engine rpm and also on the hydrostatic pump. The operator can control the travel speed with full concentration on the front attachments being used.



Daily maintenance

The main components which require daily check such as engine oil level, coolant level, air filter and radiator are easily accessible, thanks to the wide opening engine bonnet. In addition, the offset battery off terminals allow a quick starting assistance in the event of a battery default.

SAFETY / SECURITY



Lighting equipment

Road lights are mounted as standard equipment in order to meet the requirements of road legislation. In addition, working lights located on the front frame (standard) or on the safety structure (option) insure safe working conditions during both night & day.

Safety canopy

The RT100 is available with a canopy. The protective structure is certified ROPS ISO3471 and FOPS ISO3449.



Counterweight

The counterweight is integrated in the rear part of the frame. An additional counterweight of 45 Kg is available as an option to improve the stability.

STANDARD EQUIPMENT

Fuel system

- Kubota original engine
- Double-element air cleaner

Transmission

- Hydrostatic Transmission - 4 wheel drive
- Wet type multidiscs parking brake

Hydraulic system

- High performance hydraulic pump
- Locking lever of all front attachment hydraulic functions
- Inching and brake pedal
- Shuttle switch F/R on the multifunction lever

Deluxe version

- Canopy
- 1 working light
- Adjustable comfort seat equipped with armrest, backrest and headrest
- Retractable seatbelt
- Complete dashboard
- ROPS (Roll-Over Protective Structure ISO 3471)
- FOPS (Falling Object Protective Structure ISO 3449)
- Auxiliary circuit 1, double acting mechanically activated
- Free return
- Road kit (lights and mirrors)
- Documents compartment
- Towing hook
- Parallel indicator on tilt cylinder

- Tilttable steering column
- Tires 23 x 8.5-12 SKID (Industrial)
- Hydraulic quick coupler compact

Standard version

- Canopy
- Adjustable comfort seat equipped with armrest, backrest and headrest
- Retractable seatbelt
- Complete dashboard
- ROPS (Roll-Over Protective Structure ISO 3471)
- FOPS (Falling Object Protective Structure ISO 3449)
- Auxiliary circuit 1, double acting mechanically activated
- Road kit (lights and mirrors)
- Tilttable steering column
- Documents compartment
- Tires 23 x 8.5-12 SKID (Industrial)
- Mechanical quick coupler compact

Working equipment

- 2 working lights on front frame

Safety

- 4 tie down points
- OPC / Operator presence seat switch
- Articulation locking bar
- Battery isolator switch

OPTIONAL EQUIPMENT

- Leak oil connection
- Low Pressure Return
- Hand throttle
- Hand inching
- Additional working light
- Beacon light
- Auxiliary circuit, double acting mechanically activated
- Auxiliary circuit, double acting electrically activated
- Mudguard extensions
- Single/double side stop on auxiliary circuit
- Shock absorber for lift arm
- Additional counterweight
- Special colour
- Various bucket and other attachment on request

For further information consult your local dealer.

Optional tires	Width machine (mm)
23x8.5-12 Gazon	960
23x10.50-12 AS	1100
23x10.50-12 Gazon	1100
24x13-12 Gazon	1220

ACCESSORIES



Quick coupler

RT100 is equipped with mechanical quick coupler (hydraulic is optional) for easy and fast change of attachments.

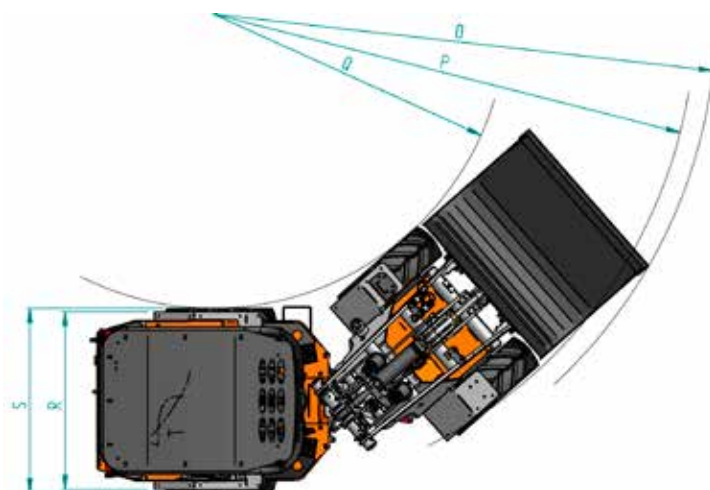
SPECIFICATIONS

Model		RT100		
Operating weight	kg	1000		
Earth bucket capacity	m ³	0,23		
Engine	Make	KUBOTA		
	Model	D722		
	Power	PS/rpm	20/2200	
		kW/rpm	15/2200	
	Number de cylinders	3		
	Displacement	cc	719	
Cooling type	Water			
Transmission	Type	Hydrostatic		
Performance with pallet fork	Tipping load with pallet fork in straight position (ISO14397)	A	kg	750
		B	kg	450
		C	kg	325
	Tipping load in full turn position (ISO14397)	kg	375	
	Lifting capacity	kN	6,1	
Breakout force	kN	11,5		
Tires	Type	SKID		
	Dimensions	23x8.5-12		
Travel speed	km/h	0-12		
Articulation angle	deg.	± 5.3		
Auxiliary circuit	Oil flow	ℓ /min	28	
	Oil pressure	bar	150	
Capacity	Fuel tank	ℓ	45	
	Engine oil	ℓ	2,5	
	Hydraulic tank	ℓ	52	
	Cooling system	ℓ	4	

DIMENSIONS

Machine dimensions*	A	Wheel base	mm	1230
	B	Overall length without bucket	mm	2210
	C	Overall length with bucket	mm	2860
	D	Seat height	mm	1020
	E	Overall height	mm	2070
	F	Front frame height	mm	1380
	G	Dumping height	mm	1410
	H	Max. height at hinge pin	mm	2170
	I	Max. lifting height at bucket	mm	2980
	J	Roll back angle at ground level	deg	17°
	K	Roll back angle at max. height	deg	43°
	L	Dumping angle	deg	43°
	M	Rear climbing angle	deg	31°
	N	Diameter of standard wheel	mm	570
	O	Turning radius with bucket	mm	2230
	P	Turning radius (outer wheel)	mm	1970
	Q	Turning radius (inner wheel)	mm	980
	R	Tread	mm	740
	S	Overall width	mm	960
-	Articulation angle	deg	47°	
-	Ground clearance	mm	120	

*The data have been measured on the standard version. Specifications are subjects to be changed without notice.



★ All image's shown are for brochure purpose only.
When operating the wheel loader, wear clothing and equipment in accordance to local legal and safety regulations.

KUBOTA EUROPE S.A.S. KUBOTA (U.K.) LTD

19 à 25, Rue Jules Verceyruysse
Zone Industrielle - B.P. 50088
95101 Argenteuil Cedex France
Téléphone : (33) 01 34 26 34 34
Télécopieur : (33) 01 34 26 34 99

Dormer Road, Thame,
Oxfordshire, OX93UN, U.K.
Phone : 01844-268140
F a x : 01844-216685